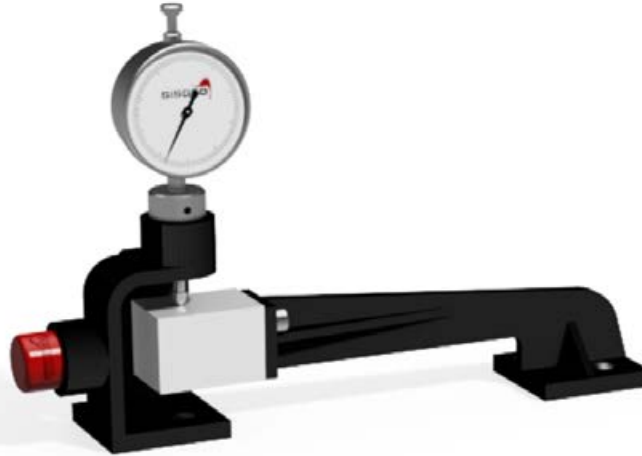


D310

— MECHANICAL CRACKMETERS

EXTENSOMETERS
& JOINTMETERS



MECHANICAL CRACKMETERS

The triaxial jointmeter consists of two components. One component is a rigid arm that spans the crack. It holds a precision-ground reference block. The other component holds the dial gauge so that it can obtain measurements of three sides of the reference block.

The tell-tale crack monitor is a simple, plastic device that is be installed across fissures to provide measurements in one or two directions.

APPLICATIONS

- Cracks on buildings caused by nearby excavation, tunneling or landslide
- Structural joints in gravity or arch dams
- Deck-pillar displacements in bridges and viaducts

FEATURES

- Triaxial jointmeter readings can be automated with displacement transducers.
- Plastic crack monitors are available for flat surfaces or corners.

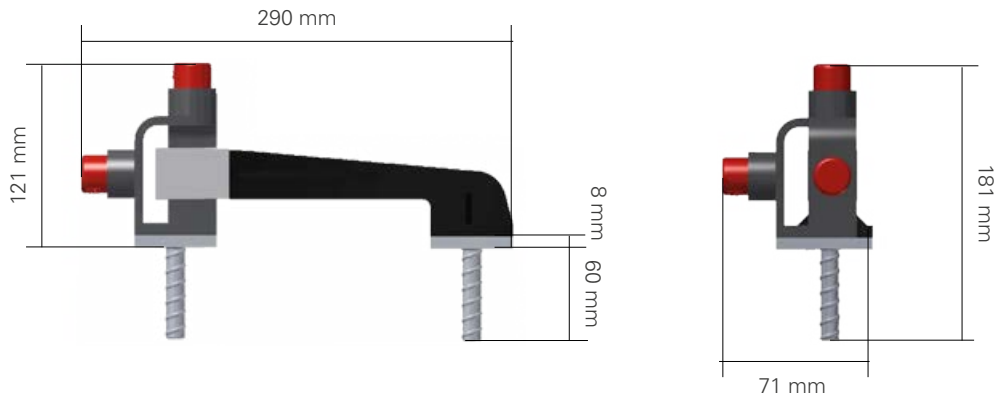


Meets the essential requirements of the EMC Directive 2004/108/EC

TECHNICAL SPECIFICATIONS

PRODUCT CODES	0D3103D3000
Type	triaxial
Mechanical range	0 - 30 mm for each axis
Distance between anchors	200 mm
Material	stainless steel and aluminum
Anchors	2 groutable rebar 16 mm diameter, 80 mm long

PHYSICAL FEATURES



DIAL GAUGE KIT

Dial gauge is used for manual readings of the uniaxial and triaxial crackmeters.

It includes:

- gauge with standard 0.01 mm division, 30 mm measuring range
- steel collar
- fitting device
- Carrying case



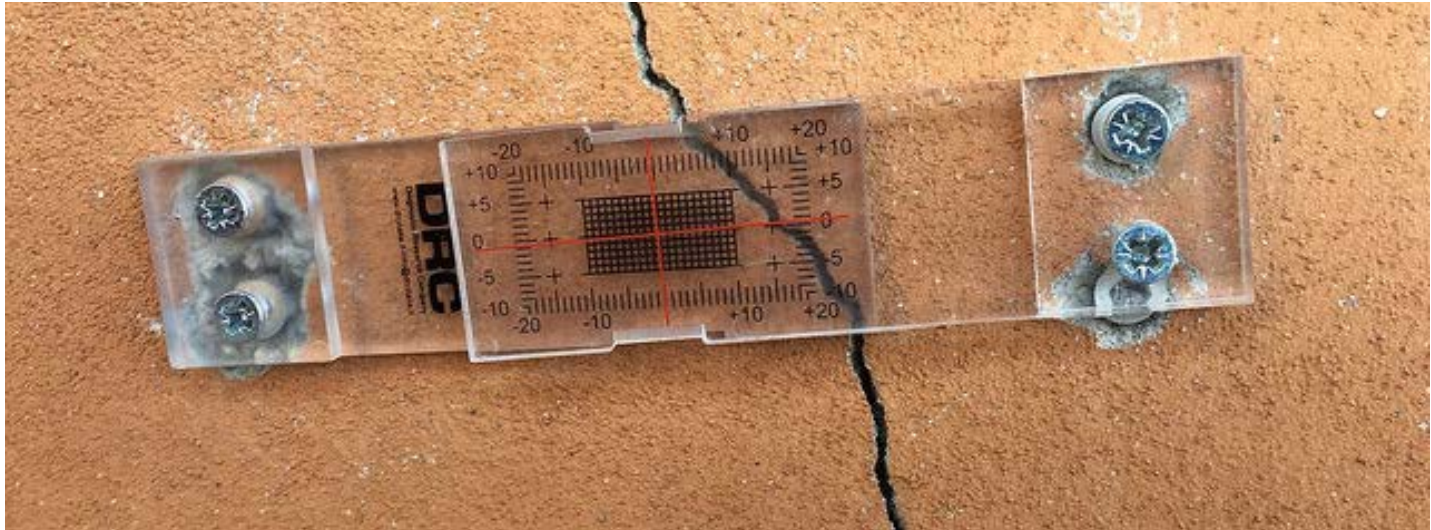
PRODUCT CODE	0DIG30KIT00
Measuring range	0 - 30 mm
Resolution	0.01 mm
Accuracy	±0.05 mm

TELL-TALE CRACK MONITORS

PRODUCT CODE	0D300LINE00
Application	wall / flat surfaces
Type	biaxial
Mechanical range	±20mm (X axis), ±10mm (Y axis)
Material	acrylic resin



PRODUCT CODE	0D300CORN00
Application	crack on corner or between wall and floor
Type	biaxial
Mechanical range	±20mm (X axis), ±10mm (Y axis)
Material	acrylic resin



All the information in this document is the property of Sisgeo S.r.l. and should not be used without permission from Sisgeo S.r.l. We reserve the right to change our products without prior notice. The datasheet is issued in English and other languages. In order to avoid discrepancies and disagreement on the interpretation of the meanings, Sisgeo Srl declares that English Language prevails.

SISGEO S.R.L.
 VIA F. SERPERO 4/F1
 20060 MASATE (MI) ITALY
 PHONE +39 02 95764130
 FAX +39 02 95762011
 INFO@SISGEO.COM

TECHNICAL ASSISTANCE
 SISGEO offers customers e-mail and phone assistance to ensure proper use of instruments and readout and to maximize performance of the system.
 For more information, please refer to the FAQ pages on our website or email us: assistance@sisgeo.com